



## TECHNICAL DATA

Input Voltage: AC120-277V  
 Frequency: 50/60Hz  
 Input Current: 6A Max @ 120V,  
 2.5A Max @ 277V  
 Input Power: 700W Max  
 Output Voltage: AC120-277V  
 Output Current: 6A Max @ 120V,  
 2.5A Max @ 277V  
 Output Power: 700W Max  
 Dimming: 0-10V DC 10mA Max  
 Sinking Current: 10mA Max

Housing Material: UL 94-5VA  
 Detection Range: 32-80ft  
 Mounting Height: 20-40ft  
 IR Remote Distance: Max 26'  
 Indoor/Outdoor Use  
 Operating Temperature: -30°C to 65°C  
 -22°F to 149°F  
 Storage Temperature: -30°C to 85°C  
 -22°F to 185°F  
 IP Rating: IP66  
 Color: White

Comply to UL8750,RoHS  
 Safety: cULus Listed LED Controller

## DESCRIPTIONS

The BMS-L01R-PIR-1-O is AC powered integrated High/Low Bay sensor, can be widely used for high bay or other outdoor luminaires. BMS-L01R-PIR-1-O suits very common 4/3" knock out hole for OEM manufacturer pre-installation.

## FEATURES

- Design for High Bay applications
- Analog Sensor Built-in
- Replacable lens options
- 120-277V Line Voltage input

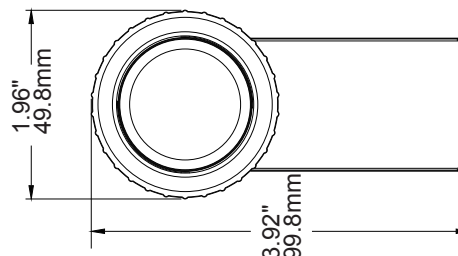
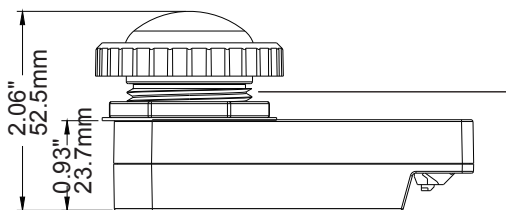
## ORDERING INFORMATION

MODEL	DESCRIPTION
BMS-L01R-PIR-1-O	Integrated Passive Infrared Sensor
LS03-HB1-1.3-WH	HB1 High Bay Lens
LS03-MB1-1.3-WH	MB1 Middle Bay Lens

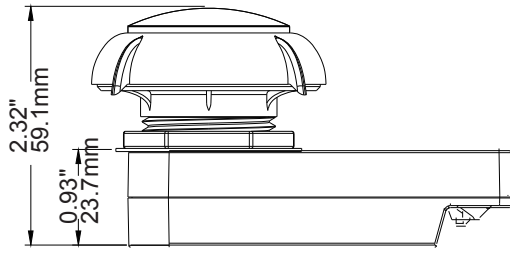
## PHYSICAL DIMENSIONS

Unit:inch/mm

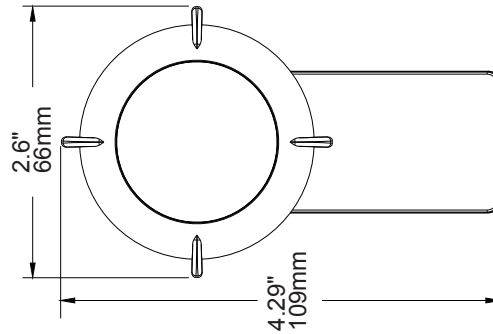
WITH MIDDLE BAY LENS



### WITH HIGH BAY LENS



inch US standard knockout



#### AMERICAN INCH PRODUCTS

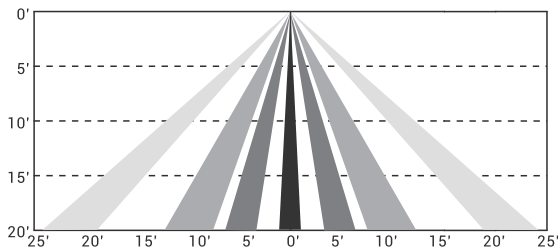
Size	T.P.I	Major Dia.
	inch	inch
R1	11	1.3

### DETECTION AREA

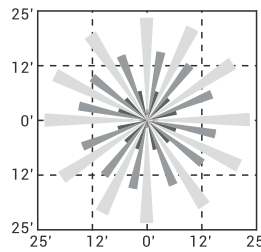
Unit:inch/mm

#### LS03-MB1-1.3-WH

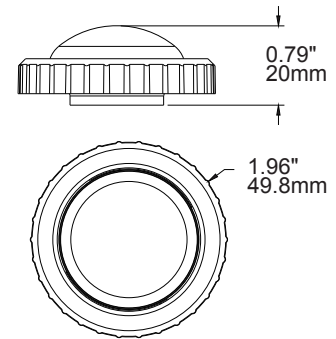
Side View



Top View

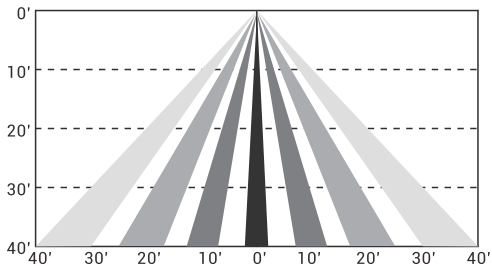


Height 20ft

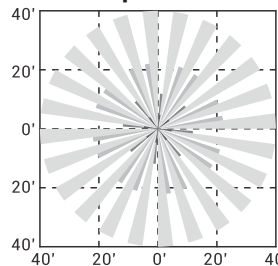


#### LS03-HB1-1.3-WH

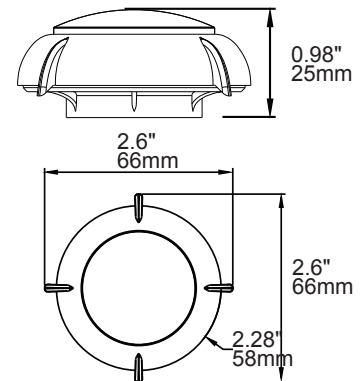
Side View



Top View

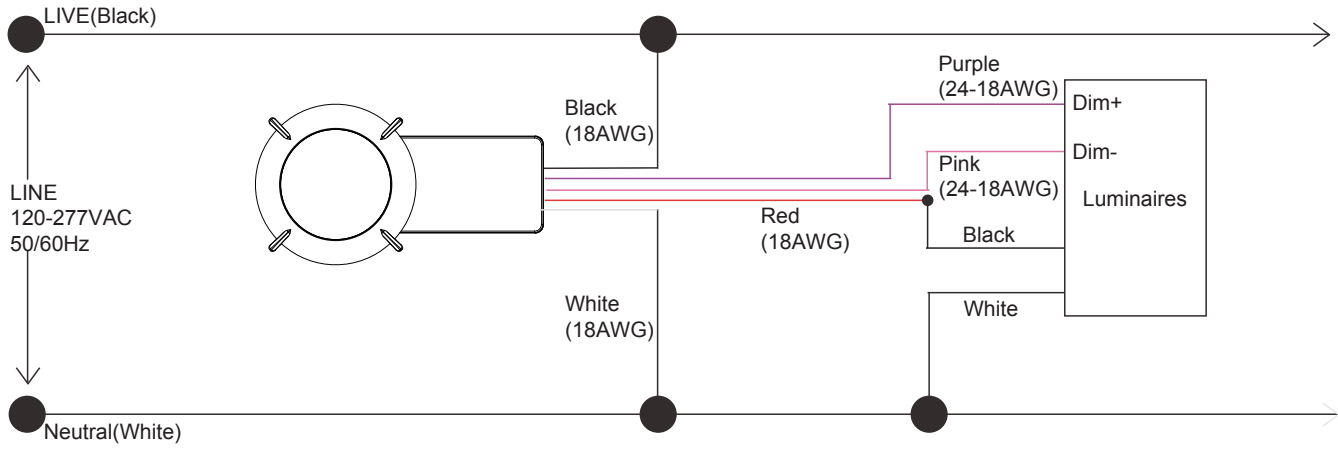


Height 40ft



### WIRING DIAGRAM

Ref#: 20231208



### WARRANTY

Five year limited warranty.

Specifications subject to change without notice.